



CRICKET 168+ is a range of circular recessed in-ground fittings for up to 50W; designed to take the load and impact from motor vehicles. Cricket 168+ is available in the following versions: Cricket 168+ AL (96) upward light emission. Cricket 168+ I (04) Cover comprising retaining frame in die cast aluminium bonded with AISI 316 stainless steel, and toughened float glass. Cricket 168+ RAD – ground radiated light. Cricket 168+ provides the following features and benefits:

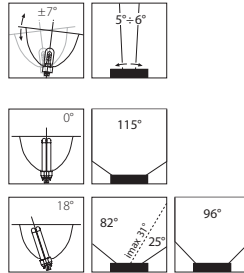
- wide range of light sources and LED
- narrow beam, wide beam and asymmetric reflectors suitable for wall washer applications.
- vertical adjustment of the lamp/reflector assembly.
- innovative system allows horizontal adjustment.
- reduced glass surface temperatures (see model and lamp options).
- easy to install with separate "WATER STOP" box connection.
- fast installation with "QUICK!" system (depending on the models).

- Technopolymer body and outer recessing enclosure provides high corrosion resistance and stability in variable ambient temperatures.
- Safety toughened float glass IK 09 – 16 joule.
- Anti-ageing silicone gaskets which properties include flexibility and recovery to maintain IP67 integrity.
- Aluminium frame finished polyester painted silver-grey (168+/96) or aluminium frame finished AISI 316 (168+/04).
- High performance reflectors in high purity (99.85%) aluminium anodized and polished. self-adjustable circular or asymmetrical (wall-washer) optics.
- Cable gland, for Ø6 to 10mm cables.
- WATER STOP system for simple and safe electrical connection.
- 230V - 50/60Hz or 220±240V - 50/60Hz, other voltages available on request.
- Stainless steel external fixings.



CRICKET 168+ /C Circular reflector

Lampholder	W	lcos	*K	Optic	Colour	Class	Wiring	EELI = $\geq 0,9$	Cosp Code	Notes	Tmax °C
PGJ5	20W	MC		C	96	II	ETRC		05237996		85°
PGJ5	20W	MC		C	04	II	ETRC		05291904		85°
G8,5	20W	MD		C	96	II	ETRC		05238096		80°
G8,5	20W	MD		C	04	II	ETRC		05292004		80°
GU6,5	20W	MT		C	96	II	ETRC		05317796		80°
GU6,5	20W	MT		C	04	II	ETRC		05317804		80°
G24q-1	10W	FSQ		C EW	96	II	ETRC A2		05238696		52°
G24q-1	10W	FSQ		C EW	04	II	ETRC A2		05292404		52°

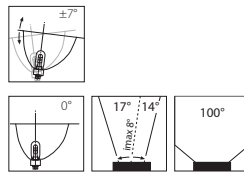


- Complete with electronic ballast 220-240V 50/60Hz.
- Version with adjustable lamp position or reflector position.
- Version with lamp position a 0° o 18°.



CRICKET 168+ /A Orientable asymmetric

Lampholder	W	lcos	*K	Optic	Colour	Class	Wiring	EELI = $\geq 0,9$	Cosp Code	Notes	Tmax °C
PGJ5	20W	MC		A	96	II	ETRC		05238196		83°
PGJ5	20W	MC		A	04	II	ETRC		05292104		83°
G8,5	20W	MD		A	96	II	ETRC		05238296		78°
G8,5	20W	MD		A	04	II	ETRC		05292204		78°
GU6,5	20W	MT		A	96	II	ETRC		05317996		78°
GU6,5	20W	MT		A	04	II	ETRC		05318004		78°



- Complete with electronic ballast 220-240V 50/60Hz.
- Version with adjustable lamp position or reflector position.



CRICKET 168+

Lampholder	W	lcos	*K	Optic	Colour	Class	Wiring	EELI = $\geq 0,9$	Cosp Code	Notes	Tmax °C
B15d	50W	HMGS			96	II	T		05238896		175°
B15d	50W	HMGS			04	II	T		05292604		175°



- T** With transformer 230V/12V.
- Version with adjustable lamp position or reflector position.

						IK 09 16J			max 2,8kg					
CLASS II		96	04	IP 67				MC 20W CDM-TM	MT 20W HCI-TC	MT Max 20W HCI-TF	HMGS Max 50W B15D	FSQ 10W DULUX-D/E PLC-4PIN	Led 6x1W	Led RGB 3x3,3W
									Ø6-Ø10 H07RN-F 2x2,5 2x2,5mm ²			Max 30Km/h Max 6.000Kg		Max 2000Kg 5 kN 50 Nm

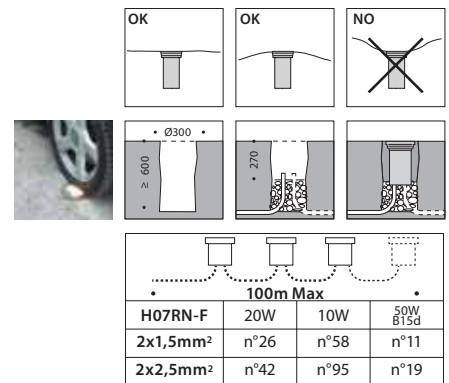


CRICKET 168+ has a separate "water stop" connection box designed to prevent ingress of moisture into the fitting due to effects of thermal variations. This ensures the longevity and safety of the fitting.

INSTALLATION

CRICKET 168+ recessed in-ground fittings may be subjected to heavy loads and impact from pedestrians and motor vehicles during operation. To ensure optimum performance and safety it is important that they are correctly installed by a suitably qualified person, in strict accordance with the manufacturers installation instructions. Fittings must not be installed in a hollow or submerged underwater and must be provided with proper drainage by means of a ≥ 30 cm bed of gravel or a drainpipe.

When installing fittings within public access it is advisable to be aware of the glass surface temperature indicated ($T_{max}^{\circ}C$, values indicated are based on nom 230V at 25°C) and confirm measurements at rated voltage are in accordance with national and local standards.



ACCESSORIES



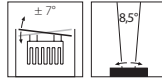
Code	Denomination	Description
14090720	A0450 AL	Frosted glass for a reduced glare more comfortable light emission (suitable for Cricket 168+/96 only).
14122820	A0450 I	Frosted glass for a reduced glare more comfortable light emission, suitable for Cricket 168+/04 only.
14090820	A0451 AL	Frosted glass supplement to be ordered together with fitting. For Cricket 168+/96 only, not suitable for RAD models.
14122920	A0451 I	Frosted glass supplement to be ordered together with fitting, suitable for Cricket 168+/04 only. Not suitable for RAD models.
14090920	A0452 AL/I	Low emission filter glass reduces the outer glass surface temperature, suitable for Cricket 168+ PGJ5.
14091020	A0453 AL/I	Prismatic glass, suitable for Cricket 168+ /C PGJ5 et G8,5.
14091420	A0454/BL AL	Dichroic blue filter glass in combination with accessory A0455 (suitable for Cricket 168+/96 PGJ5 only).
14123420	A0454/BL I	Dichroic blue filter glass in combination with accessory A0455 (suitable for Cricket 168+/04 PGJ51 only).
14091220	A0454/G AL	Dichroic yellow filter glass in combination with accessory A0455 (suitable for Cricket 168+/96 PGJ5 only).
14123220	A0454/G I	Dichroic yellow filter glass in combination with accessory A0455 (suitable for Cricket 168+/04 PGJ5 only).
14091120	A0454/R AL	Dichroic red filter glass in combination with accessory A0455 (suitable for Cricket 168+/96 PGJ5 only).
14123120	A0454/R I	Dichroic red filter glass in combination with accessory A0455 (suitable for Cricket 168+/04 PGJ5 only).
14091320	A0454/V AL	Dichroic green filter glass in combination with accessory A0455 (suitable for Cricket 168+/96 PGJ5 only).
14123320	A0454/V I	Dichroic green filter glass in combination with accessory A0455 (suitable for Cricket 168+/04 PGJ5 only).
14091512	A0455/C AL/I	Internal aluminium anti-glare baffle for use with Cricket 168+ /C PGJ5 et G8,5 only. Not suitable for use with A0456.
14091612	A0456/C AL/I	Internal aluminium anti-glare shield for use with Cricket 168+ /C PGJ5 et G8,5 only. Not suitable for use with A0455 baffle.
14091712	A0457/A AL/I	Internal aluminium anti-glare shield. For use with Cricket 168+ /A only.
14091820	A0458/C-Fluo AL/I	Internal aluminium anti-glare shield. For use with Cricket 168+ /C G24q-1 only.
14018320	A0235	H07RN8-F 2x1,5 mm ² 1 metre rubber cable.



CRICKET 168+ / LED HP / INT *Beam reflector*

Lampholder	W	Icos	*K	Optic	Colour	Class	Wiring	EEL = $\frac{Cosp}{\geq 0,9}$	Code	Notes	Tmax °C
n.6 led 350mA DC	6,6W		○ 6.000°	C INT	96	II	ETRC		06015296	T	41°
n.6 led 350mA DC	6,6W		○ 6.000°	C INT	04	II	ETRC		06017704	T	41°
n.6 led 350mA DC	6,6W		○ 3.000°	C INT	96	II	ETRC		06015396	T	40°
n.6 led 350mA DC	6,6W		○ 3.000°	C INT	04	II	ETRC		06017804	T	40°
n.6 led 350mA DC	6,6W		●	C INT	96	II	ETRC		06015496	T	30°
n.6 led 350mA DC	6,6W		●	C INT	04	II	ETRC		06017904	T	30°
n.6 led 350mA DC	6,6W		●	C INT	96	II	ETRC		06016896	T	30°
n.6 led 350mA DC	6,6W		●	C INT	04	II	ETRC		06018004	T	30°

INT



T Complete with electronic transformer non dimmable 230-240v 50/60hz.

Fittings supplied complete with lamp

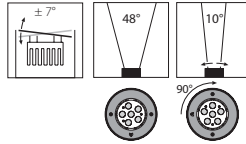
Version with adjustable lamp position or reflector position



CRICKET 168+ / LED HP / ELL *Elliptical*

Lampholder	W	Icos	*K	Optic	Colour	Class	Wiring	EEL = $\frac{Cosp}{\geq 0,9}$	Code	Notes	Tmax °C
n.6 led 350mA DC	6,6W		○ 6.000°	ELL	96	II	ETRC		06017396	T	40°
n.6 led 350mA DC	6,6W		○ 6.000°	ELL	04	II	ETRC		06018104	T	40°
n.6 led 350mA DC	6,6W		○ 3.000°	ELL	96	II	ETRC		06017496	T	40°
n.6 led 350mA DC	6,6W		○ 3.000°	ELL	04	II	ETRC		06018204	T	40°
n.6 led 350mA DC	6,6W		●	ELL	96	II	ETRC		06017596	T	30°
n.6 led 350mA DC	6,6W		●	ELL	04	II	ETRC		06018304	T	30°
n.6 led 350mA DC	6,6W		●	ELL	96	II	ETRC		06017696	T	30°
n.6 led 350mA DC	6,6W		●	ELL	04	II	ETRC		06018404	T	30°

ELL



T Complete with electronic transformer non dimmable 230-240v 50/60hz.

Fittings supplied complete with lamp

Version with adjustable lamp position or reflector position

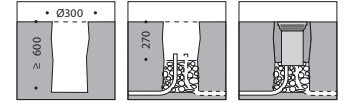
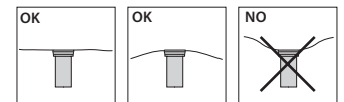


CRICKET 168+ has a separate "water stop" connection box designed to prevent ingress of moisture into the fitting due to effects of thermal variations. This ensures the longevity and safety of the fitting.

INSTALLATION

CRICKET 168+ recessed in-ground fittings may be subjected to heavy loads and impact from pedestrians and motor vehicles during operation. To ensure optimum performance and safety it is important that they are correctly installed by a suitably qualified person, in strict accordance with the manufacturers installation instructions. Fittings must not be installed in a hollow or submerged underwater and must be provided with proper drainage by means of a ≥ 30 cm bed of gravel or a drainpipe.

When installing fittings within public access it is advisable to be aware of the glass surface temperature indicated (**T max °C**, values indicated are based on nom 230V at 25°C) and confirm measurements at rated voltage are in accordance with national and local standards.



100m Max	
H07RN-F	LED (no RGB)
2x1,5mm ²	n°60
2x2,5mm ²	n°100

ACCESSORIES

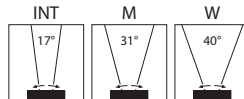


Code	Denomination	Description
14018320	A0235	H07RN8-F 2x1.5 mm ² 1 metre rubber cable.



CRICKET 168+ / LED HP / RGB

Lampholder	W	Icos	*K	Optic	Colour Class	Wiring	EEL = $\geq 0,9$	Code	Notes	Tmax °C
n.3 led RGB 350mA DC	9,9W			C INT	96 III			06022396	!2	38°
n.3 led RGB 350mA DC	9,9W			C INT	04 III			06022604	!2	38°
n.3 led RGB 350mA DC	9,9W			C M	96 III			06022496	!2	38°
n.3 led RGB 350mA DC	9,9W			C M	04 III			06022704	!2	38°
n.3 led RGB 350mA DC	9,9W			C W	96 III			06022596	!2	38°
n.3 led RGB 350mA DC	9,9W			C W	04 III			06022804	!2	38°



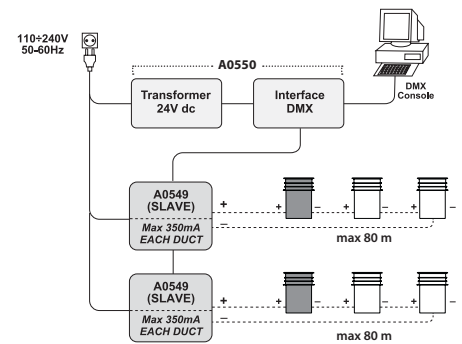
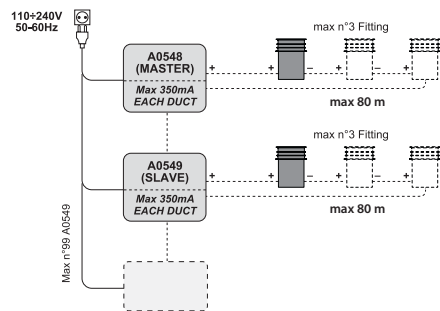
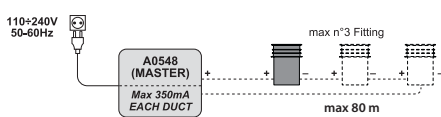
Fittings supplied complete with lamp.

!2 For 350mA x RGB lamp supply.

Version with adjustable lamp position.



CRICKET 168+ has a separate "water stop" connection box designed to prevent ingress of moisture into the fitting due to effects of thermal variations. This ensures the longevity and safety of the fitting.



ACCESSORIES

A0548/49/50



A0380



Code	Denomination	Description
14135420	A0548	Control gear Kit MASTER for RGB-12W 110/240V.
14135520	A0549	Control gear Kit SLAVE for RGB-12W 110/240V.
14135620	A0550	Signal converter DMX for RGB-12W 110/240V.
14072120	A0380	S05RN-F 3x1mm ² x RGB cable sold and supplied in 1 metre units.



CRICKET 168+ RAD

design Silvia Paola Pennacchio



CRICKET 168+ RAD is a range of circular in-ground fittings, designed to take the load and impact from motor vehicles, with ground radiated light distribution.

Ideally suited for indoor and outdoor feature lighting giving a prestigious appearance to open public spaces, as marker lighting for drives, pathways and entrances. Available with slotted openings at 360°, 210° and 110°+30°.

Cricket 168+ RAD has the same construction as Cricket 168+, with the following features:

- Ground radiated light distribution.
- Die cast aluminium glass lens cover, phosphocromate pre-treated and finished polyester powder coated quartz grey colour. Available with slotted openings in 3 options (360°, 210°, 110°+30°).
- The glass lens cover has a surface protrusion in accordance with EN 60598-2-13 ensuring minimum obstruction to public and motor vehicles.
- Moulded toughened safety glass (IK09-15 joule).



CRICKET 168+ / RAD 360°

Lampholder	W	Ilcos	*K	Optic	Colour	Class	Wiring	EEL = $\frac{Cosp}{\geq 0,9}$	Code	Notes	Tmax °C
G8,5	20W	MT	3.000°	RAD 360°	96	II	ETRC	•	07023996	E I Q	58°
GU6,5	20W	MT	3.000°	RAD 360°	96	II	ETRC	•	07034596	E I Q	45°
n.8 led 350mA DC	8,8W		6.000°	RAD 360°	96	II	ETRC		06015696	T Q	39°
n.8 led 350mA DC	8,8W		3.000°	RAD 360°	96	II	ETRC		06021296	T Q	39°
n.8 led 350mA DC	8,8W		●	RAD 360°	96	II	ETRC		06015796	T Q	39°



CRICKET 168+ / RAD 210°

Lampholder	W	Ilcos	*K	Optic	Colour	Class	Wiring	EEL = $\frac{Cosp}{\geq 0,9}$	Code	Notes	Tmax °C
G8,5	20W	MT	3.000°	RAD 210°	96	II	ETRC	•	07024096	E I Q	58°
GU6,5	20W	MT	3.000°	RAD 210°	96	II	ETRC	•	07034696	E I Q	45°
n.5 led 350mA DC	5,5W		6.000°	RAD 210°	96	II	ETRC		06015896	T Q	39°
n.5 led 350mA DC	5,5W		3.000°	RAD 210°	96	II	ETRC		06021396	T Q	39°
n.5 led 350mA DC	5,5W		●	RAD 210°	96	II	ETRC		06015996	T Q	39°



CRICKET 168+ / RAD 110°

Lampholder	W	Ilcos	*K	Optic	Colour	Class	Wiring	EEL = $\frac{Cosp}{\geq 0,9}$	Code	Notes	Tmax °C
G8,5	20W	MT	3.000°	RAD 110°	96	II	ETRC	•	07024196	E I Q	58°
GU6,5	20W	MT	3.000°	RAD 110°	96	II	ETRC	•	07034796	E I Q	45°
n.4 led 350mA DC	4,4W		6.000°	RAD 110°	96	II	ETRC		06016096	T Q	39°
n.4 led 350mA DC	4,4W		3.000°	RAD 110°	96	II	ETRC		06021496	T Q	39°
n.4 led 350mA DC	4,4W		●	RAD 110°	96	II	ETRC		06016196	T Q	39°



E I Complete with electronic ballast 220-240V 50/60Hz.

T Complete with electronic transformer non dimmable 230-240V 50/60hz.

Q Fittings supplied complete with lamp.

CRICKET 168+ RAD

			IK 09 15J		max 2,5kg			
CLASS II		96	IP 67			MT 20W HCI-TF	MT 20W HCI-TC	Led Max 8x1,1W

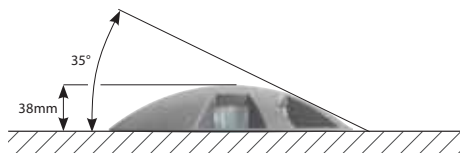
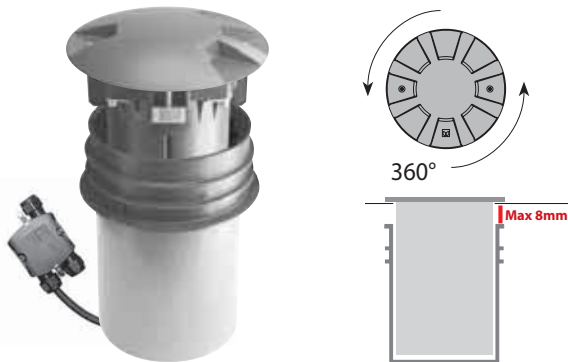


Cricket 168+ RAD has a separate "water stop" connection box designed to prevent ingress of moisture into the fitting due to effects of thermal variations. This ensures the longevity and safety of the fitting.

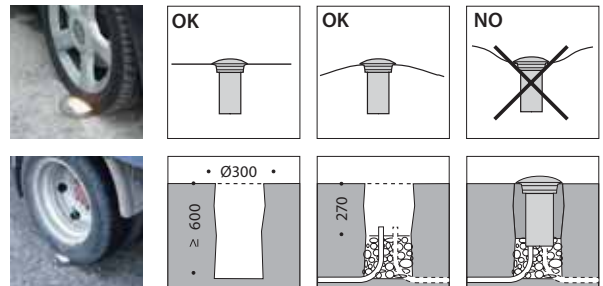
INSTALLATION

CRICKET 168+ RAD recessed in-ground fittings may be subjected to heavy loads and impact from pedestrians and motor vehicles during operation. To ensure optimum performance and safety it is important that they are correctly installed by a suitably qualified person, in strict accordance with the manufacturers installation instructions. Fittings must not be installed in a hollow or submerged underwater and must be provided with proper drainage by means of a ≥ 30 cm bed of gravel or a drainpipe.

When installing fittings within public access it is advisable to be aware of the glass surface temperature indicated (T_{max} °C, values indicated are based on nom 230V at 25°C) and confirm measurements at rated voltage are in accordance with national and local standards.



The glass lens cover has a surface protrusion in accordance with EN 60598-2-13, ensuring minimum obstruction to public and motor vehicles.



H07RN-F	20W	LED HP
2x1,5mm ²	n°26	n°50
2x2,5mm ²	n°42	n°80

ACCESSORIES



Code	Denomination	Description
14018320	A0235	H07RN8-F 2x1,5 mm ² 1 metre rubber cable.