



Aesthetically designed exterior pole top and wall mounted fittings for urban lighting, manufactured in anti-corrosive die-cast aluminium with pressed toughened glass cover.

OLA is designed to comply with the recommendations UNI 10819 for glare control and upward light pollution to reduce the effect of sky glow.

The OLA fittings are available with symmetrical, asymmetrical and road lighting optics.

Suitable for HID lamps; metal halide and high pressure sodium.

A range of stainless steel or painted aluminium poles are available from 3.5m to 6.0m heights. A variety of mounting accessories are offered for back to back pole top mounting, mid-pole fixing, and wall mounting. Isolating terminal connector disconnects supply on opening of fitting for safety during maintenance.

The gear tray / front cover assembly hinges down from fitting and can easily be detached for maintenance.

OLA is suitable for lighting pedestrian walkways, parking areas and commercial / retail complexes.

- Outdoor pole top and wall mounted luminaire.
- Aluminium die-cast anti-corrosive body and cover frame. Pressed toughened glass cover.
- Die-cast anti-corrosive pole and wall mounting bracket accessories, to suit poles Ø60mm and Ø90mm. Anodised aluminium reflector.
- Self-extinguishing V0 class, 960° glow wire tested, control gear tray. Isolating terminal connector disconnects supply on opening of fitting for safety during maintenance.
- Easy quick access one piece gear tray / cover assembly.
- Class II.
- A variety of mounting accessories are offered for back to back pole top mounting, mid-pole fixing to desired height, and wall mounting (mounting accessories to be ordered separately). Conventional magnetic ballast gear for fluorescent versions are complete with thermal cut-out device to EN 60598-1:2000.
- Designed to comply with the recommendations for glare control and upward light pollution to reduce the effect of sky glow.
- Rx7s lamp version complete with high purity 99.85% aluminium asymmetrical reflector.



OLA

Lampholder	W	lcos	*K	Optic	Colour	Class	Wiring	EEL =	Cosp ≥ 0,9	Code	Notes	☞
E27	150W	ME		S	81	II	CR			• 05259281	☐	•
E27	150W	ME		S	96	II	CR			• 05259396	☐	•
E40	150W	SE		S	81	II	CR			• 05259581	☐	•
E40	150W	SE		S	96	II	CR			• 05259696	☐	•
E40	250W	ME		S	81	II	CR			• 05259881	☐	•
E40	250W	ME		S	96	II	CR			• 05259996	☐	•
E40	250W	SE		S	81	II	CR			• 05260481	☐	•
E40	250W	SE		S	96	II	CR			• 05260596	☐	•

OLA / A

Lampholder	W	lcos	*K	Optic	Colour	Class	Wiring	EEL =	Cosp ≥ 0,9	Code	Notes	☞
RX7s	150W	MD		A	81	II	CR			• 05260781	☐	•
RX7s	150W	MD		A	96	II	CR			• 05260896	☐	•

OLA / SR

Lampholder	W	lcos	*K	Optic	Colour	Class	Wiring	EEL =	Cosp ≥ 0,9	Code	Notes	☞
E40	150W	ST		SR	81	II	CR			• 05290081	☐ !	•
E40	150W	ST		SR	96	II	CR			• 05290196	☐ !	•

- ☐ Magnetic ballast.
- ! Models with new street optics. Contact our offices for availability.



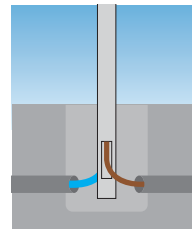
The quick opening of optical compartment is obtained by one quarter turn loosening of a single fastener. When optical compartment is opened, the electrical compartment is automatically disconnected from mains, allowing a safe maintenance.



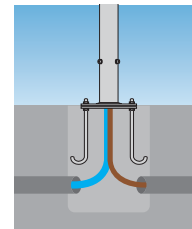
One piece gear tray / cover assembly hinges to main body of fitting.



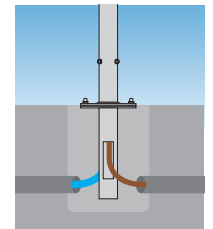
The gear tray / front cover assembly can easily be detached for maintenance.



Root mounted (INT) secured by concrete.



Flange mounting (FT) with fixing rods secured by concrete. The baseplate, which also acts as a template, ensures a level fixing

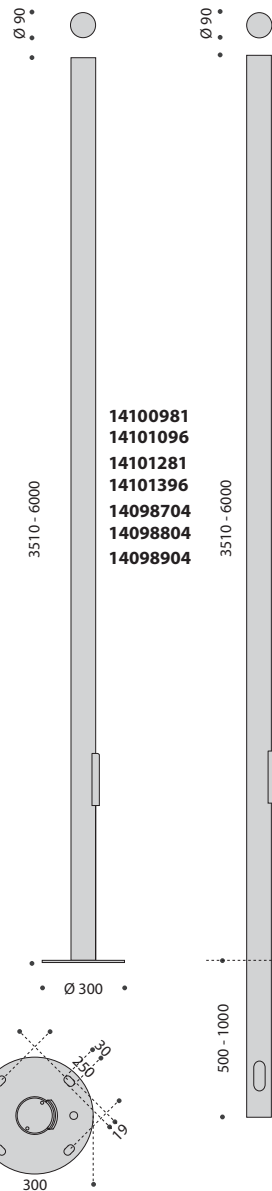
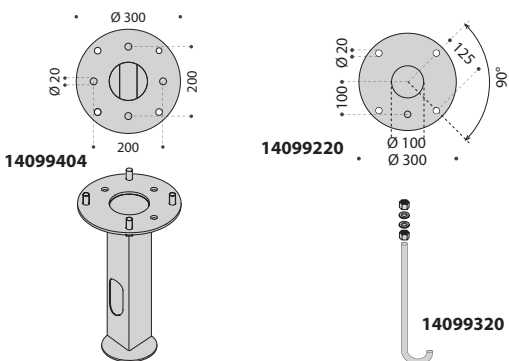


Flange plate fixing with root (FT) secured by concrete. For correct concrete base dimensions refer to information pages on poles

							IK 07 2J								
CLASS II		81	96				IP 44								
											ME 150W HQI-E	ME 250W HQI-E CDO-ET	SE max 250W NAV-E/SON	ST max 150W NAV-T SON-T	MD max 150W HQI-TS/MH-TD CDM-TD

ACCESSORIES

Code	Denomination	Colour	Description
14100981	A0485/3,5	81	Pole Ø 90 mm F.T. 3,5 m c/w flange
14101096	A0485/3,5	96	
14101281	A0485/4	81	Pole Ø 90 mm F.T. 4 m c/w flange
14101396	A0485/4	96	
14101581	A0486/3,5+0,5	81	Pole Ø 90 mm INT. (buried) 3,5+0,5 m
14101696	A0486/3,5+0,5	96	
14101881	A0486/4+0,5	81	Pole Ø 90 mm INT. (buried) 4+0,5 m
14101996	A0486/4+0,5	96	
14102181	A0487-D60	81	Top mount kit-single Ø 60
14102296	A0487-D60	96	
14102481	A0487-D90	81	Top mount kit-single Ø 90
14102596	A0487-D90	96	
14098704	A0474/3,5	04	Pole Ø 90 F.T. 3,5 m c/w flange
14098804	A0474/5	04	Pole Ø 90 F.T. 5 m c/w flange
14098904	A0474/6	04	Pole Ø 90 F.T. 6 m c/w flange
14099004	A0475/5+1	04	Pole Ø 90 mm INT. (buried) 5+1 m
14099104	A0475/6+1	04	Pole Ø 90 mm INT. (buried) 6+1 m
14102781	A0488-D60	81	Top mount kit-double Ø 60
14102896	A0488-D60	96	
14103081	A0488-D90	81	Top mount kit-double Ø 90
14103196	A0488-D90	96	
14103381	A0489-D60	81	Side mounting kit-single Ø 60 mm
14103496	A0489-D60	96	
14103681	A0489-D90	81	Side mounting kit-single Ø 90 mm
14103796	A0489-D90	96	
14103981	A0490-D60	81	Side mount kit-double Ø 60
14104096	A0490-D60	96	
14104281	A0490-D90	81	Side mount kit-double Ø 90
14104396	A0490-D90	96	
14104581	A0491	81	Wall mount kit
14104696	A0491	96	
14099220	A0476		Flange plate/1 F.T. post
14099320	A0477		Fixing rod Ø 18 X 400
14099404	A0478	04	Flange plate fixing with root



COMPLETE UNIT

1A+1B1+1C = 3 codes
 1A+1B2+1C+1E = 4 codes
 1A+1B2+1C+1D+4F = 8 codes

COMPONENTS	
A	luminaire
B1	pole INT
B2	pole FT
C	mounting kits
D	flange plate fixing with root
E	flange plate
F	fixing rod

