

ISIDE 2 | Design Roberto Pamio

Lampada da incasso in vetro satinato, eseguita nei colori: azzurro, blu, bianco, rosa, verde Nilo, verde e cristallo trasparente e cromatizzato.

Semi-recessed glass fixture available in the following colors: light blue, white, cobalt blue, rose, jade green, aquamarine, crystal and mirrored chrome finishes.

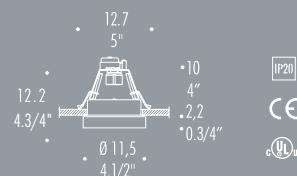
Einbauleuchte aus satiniertem Glas in den Farben hellblau, blau, weiß, rosa, nilgrün und grün erhältlich. Neue Varianten: kristall klar und kristall verchromt.

Spot encastré en verre satiné disponible dans les couleurs: azur, bleu, blanc, rose, vert Nil ou vert. Nouveau variantes en cristal transparent et effet chromatique.

Empotrable en vidrio satinado disponible en los colores: azul claro, azul oscuro, blanco, rosa, verde Nilo y verde. Nuevas variantes en vidrio transparente o efecto cromo.

Встроенный светильник из сатирированного стекла расцветок: Голубая, Синяя, Белая, Розовая, Зеленая Нил, Зеленая и прозрачный хрусталь и разноцветная.

ISIDE 2



IP20

CE

UL

◆ DIC max 1x50W-12V-GU5.3
DIC max 1x50W-250V-GU10



1,6 Kg - 4 lbs
foro 9,5 - Opening 3.3/4"



IP20

CE

max 1x7W-LED-230V-GU10
max 1x11W-FLUORESCENT-230V-GU10
1x35W-MR-HQI-Brite Spot 230V-GX10



Quantitativo minimo
per le versioni colore
n. 20 pz. cad.

Minimum quantity
for colour finishes
n. 20 pieces for each.



C: Cristallo
Crystal



B: Bianco
White



L: Verde Nilo
Acquamarine



U: Blue
Cobalt blue



SI: Cromatizzato
Chrome



H: Rosa
Rose



Q: Azzurro
Pale blue



V: Verde
Jade green

Dati tecnici pag. 374 > 379

Technical data available
on pages 374 > 379



GEP



pag. 348 > 349

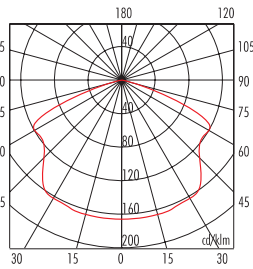
1,35 Kg - 3 lbs
foro 11,5 - Opening 4.1/2"



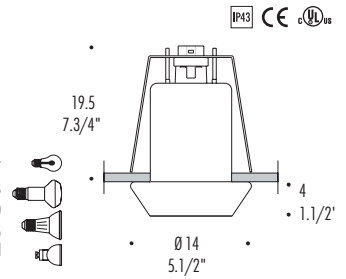
GEP - 52W incandescent

Lux		
h	E max	E med
1.00	159	21
2.00	40	5
3.00	18	2
4.00	10	1
5.00	6	1

Gamma Angle



K max 1x52W-250V-E27
K max 1x60W-250V-E27-R63
AL max 1x50W-250V-E27-PAR20
1x35W-220/240V-GX10-MT35
Brite Spot-HQI



SITH



pag. 334 > 335

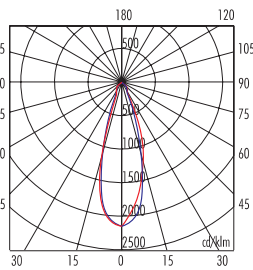
0,38 Kg - 1 lbs
foro 9,5 - Opening 3.3/4"



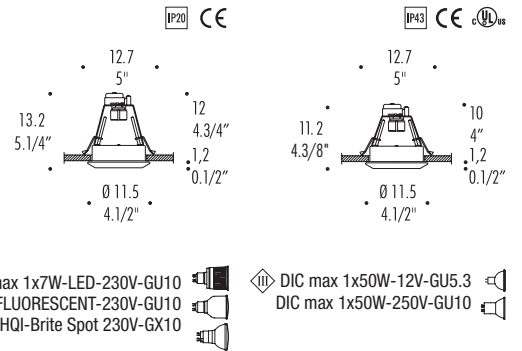
SITH - GU 5,3 - 50W 38°

Lux		
h	E max	E med
1.00	1992	1201
2.00	498	300
3.00	221	133
4.00	124	75
5.00	80	48

Gamma Angle



max 1x7W-LED-230V-GU10
max 1x11W-FLUORESCENT-230V-GU10
1x35W-MR-HQI-Brite Spot 230V-GX10



IGEA 2



pag. 338 > 339

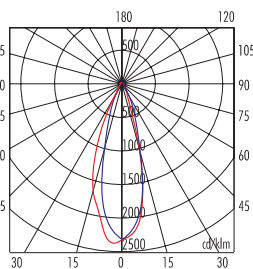
0,36 Kg - 1 lbs
foro 9,5 - Opening 3.3/4"



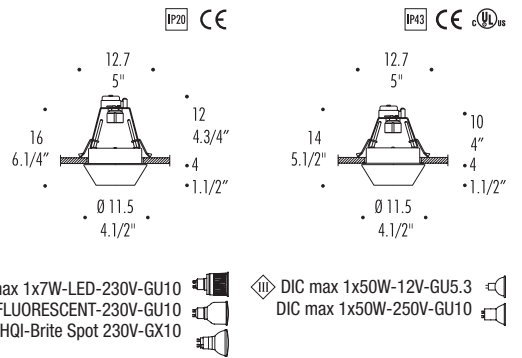
IGEA 2 - GU 5,3 - 50W 38°

Lux		
h	E max	E med
1.00	2207	1273
2.00	552	318
3.00	245	141
4.00	138	80
5.00	88	51

Gamma Angle



max 1x7W-LED-230V-GU10
max 1x11W-FLUORESCENT-230V-GU10
1x35W-MR-HQI-Brite Spot 230V-GX10



ISIDE 2



pag. 340 > 341

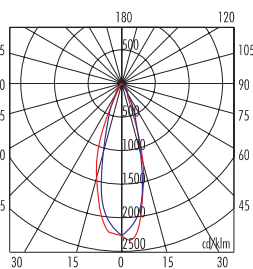
0,38 Kg - 1 lbs
foro 9,5 - Opening 3.3/4"



ISIDE 2 - GU 5,3 - 50W 38°

Lux		
h	E max	E med
1.00	2168	1279
2.00	542	320
3.00	241	142
4.00	135	80
5.00	87	51

Gamma Angle



max 1x7W-LED-230V-GU10
max 1x11W-FLUORESCENT-230V-GU10
1x35W-MR-HQI-Brite Spot 230V-GX10

