



design Roberto Fiorato

DITTIK LUM FLAT

Suspended luminaires

Series of indoor suspended luminaires, single and double emission. The luminaire housings are in extruded aluminium, with diffuser in tempered glass, suspended with four steel cables with a quick adjustment system. The optical compartment is designed for electronic fluorescent bulbs up to 70W. Thanks to the compact height of the housing, the Dittik Lum Flat series adds formal elegance to a considerable light diffusion. It's ideal for residential contexts and meeting rooms.

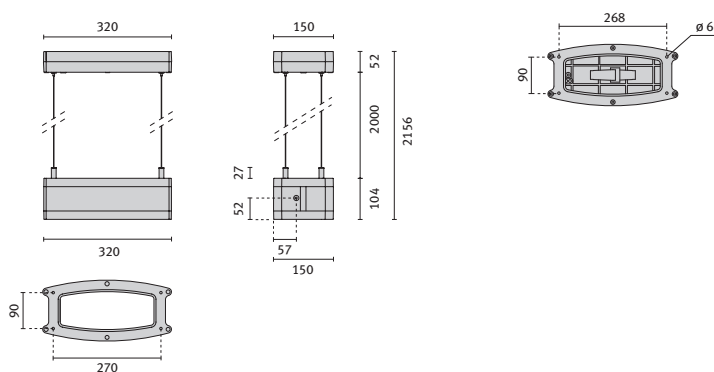


DITTIK LUM 300 FLAT

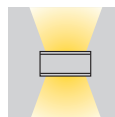
Suspended luminaires for fluorescent lamps



Luminaire for interior use. Painted extruded aluminium housing. Painted die cast aluminium trims and caps. Painted die cast aluminium canopy for ceiling mounted applications. Satin glass diffuser. The housing is hanged to the canopy by means of four stainless steel wires, 2 m long, including a quick levelling system. M and B versions accept one lightsource. Class I, IP40.



DITTIK LUM 300 FLAT B	Metallic grey	Metallic anthracite	Socket type
TC-DEL 26 W c/w electronic ballast	006694	006695	G24q-3



DITTIK LUM 300 FLAT M/UP	Metallic grey	Metallic anthracite	Socket type
TC-DEL 26 W c/w electronic ballast	006696	006697	G24q-3



DITTIK LUM 300 FLAT M/DOWN	Metallic grey	Metallic anthracite	Socket type
TC-DEL 26 W c/w electronic ballast	006698	006699	G24q-3

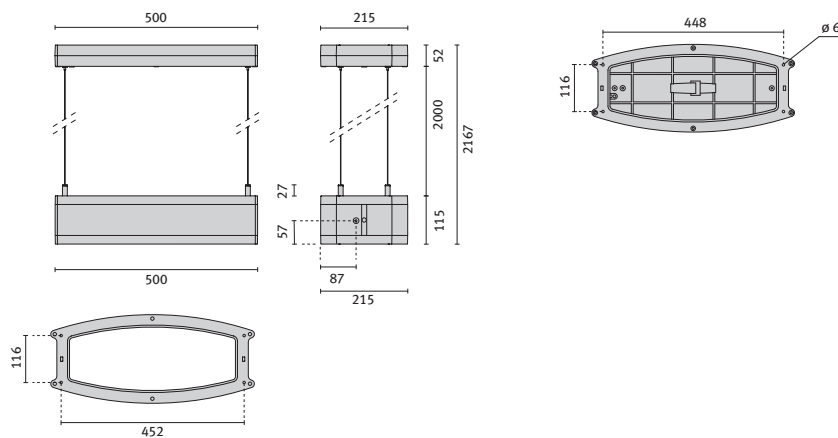


DITTIK LUM 500 FLAT

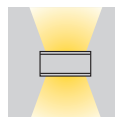
Suspended luminaires for fluorescent lamps



Luminaire for interior use. Painted extruded aluminium housing. Painted die cast aluminium trims and caps. Painted die cast aluminium canopy for ceiling mounted applications. Satin glass diffuser. The housing is hanged to the canopy by means of four stainless steel wires, 2 m long, including a quick levelling system. M and B versions accept one lightsource. Class I, IP40.



DITTIK LUM 500 FLAT B	Metallic grey	Metallic anthracite	Socket type
TC-TELI 70 W c/w electronic ballast	006792	006793	GX24q-6



DITTIK LUM 500 FLAT M/UP	Metallic grey	Metallic anthracite	Socket type
TC-TELI 70 W c/w electronic ballast	006794	006795	GX24q-6



DITTIK LUM 500 FLAT M/DOWN	Metallic grey	Metallic anthracite	Socket type
TC-TELI 70 W c/w electronic ballast	006796	006797	GX24q-6



