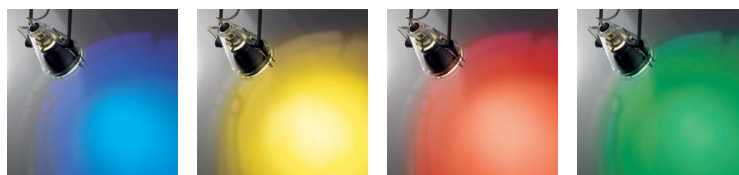


JUEL WALL

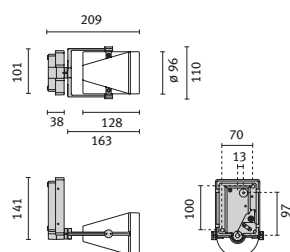
Wall luminaire for halogen and discharge lamps



Range of luminaires wall/ceiling mounted. Transparent glass diffuser, 95 mm, 130 mm, 160 mm diameter. Painted die cast aluminium diffuser holder and aiming system. Painted die cast aluminium canopy. Chromed metal reflector and hardware. Class I, IP20.



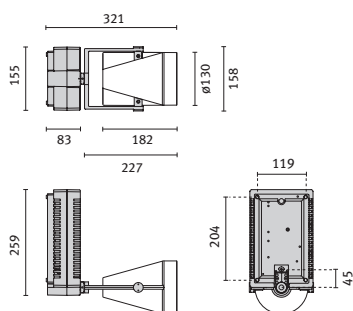
For coloured filters and protective glass, see page 460



JUEL MINI WALL	Metallic grey housing	Socket type	Light beam width
QR-CBC 51 max 35 W c/w trafo	006481	GU5,3	10°- 24°- 38°- 60°

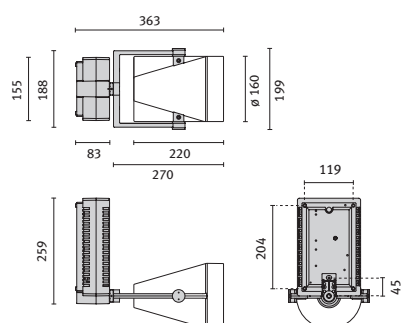


A wiring box for the Mini model.



JUEL MIDI WALL	Met. grey structure	Socket type	Light angle
QR111 max 100 W c/w trafo	006556	G53	8°- 24°- 45°
HST-CRI 50 W c/w electronic ballast	006447*	Gx12	-

* not suitable for coloured filters



JUEL MAXI WALL	Met. grey structure	Socket type	Light angle
HST-CRI 100 W c/w electronic ballast	006465*	Gx12	-

* not suitable for coloured filters

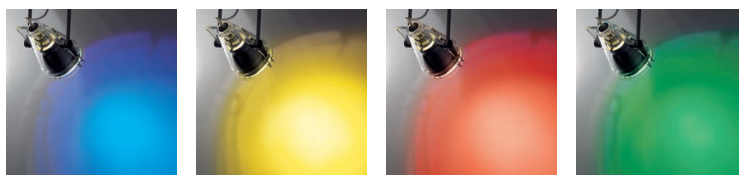
Decorative fixtures for residential use

JUEL WALL/R

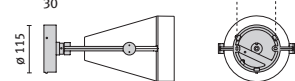
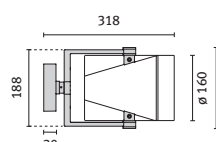
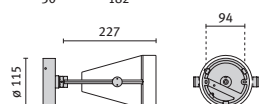
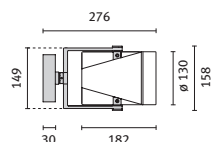
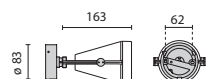
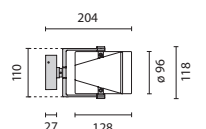
Wall luminaire for halogen lamps



Range of luminaires wall/ceiling mounted. Transparent glass diffuser, 95 mm, 130 mm, 160 mm diameter. Painted die cast aluminium diffuser holder and aiming system. Painted die cast aluminium canopy. Chromed metal reflector and hardware. Class I, IP20. Class III versions are supplied without transformer, correct mains supply shall be done by the installer.



For coloured filters and protective glass, see page 460



JUEL MINI WALL/R	Met. grey structure	Socket type	Light angle
QR-CBC 51 max 35 W - class III	006490	GU5,3	10°- 24°- 38°- 60°
QPAR 51 max 35 W	006489	GU10	35°

JUEL MIDI WALL/R	Met. grey structure	Socket type	Light angle
QPAR max 75 W	006494	E27	8°- 24°- 45°

JUEL MAXI WALL/R	Met. grey structure	Socket type	Light angle
PAR 38-CB max 120 W	006496*	E27	12°- 30°

* not suitable for coloured filters

