

KAI WALL

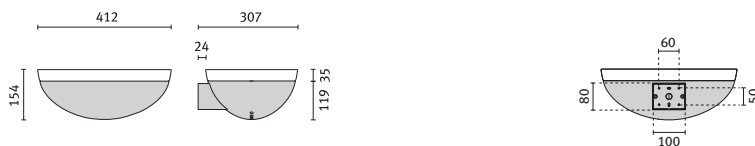
Wall luminaire for halogen, discharge and fluorescent lamps



Technical-decorative wall mounted uplighter. Extruded aluminium wall bracket, painted white or metal grey finish. Die-cast aluminium decorative body, either in chrome finish or painted white or metal grey finish.

Transparent glass diffuser. Aluminium reflector. Aluminium locking screws.

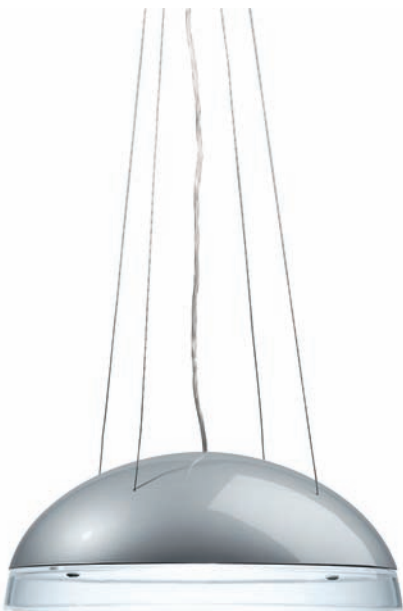
Metal halide and halogen versions have fully hardened glass diffuser. Class I, IP20.



Version	White	Metallic grey	Chrome	Socket type
A60 max 2 x 100 W	-	008584	-	E27
QT-DE 12 max 300 W	008588	008589	008590	R7s
TC-D 2 x 26 W c/w low loss ballast	008600	008601	008602	G24d-3
HIT-DE 70 W c/w low loss ballast	-	008604	008505	Rx7s

KAI LUM

Suspended luminaire for halogen, discharge and fluorescent lamps



Technical-decorative suspended ceiling luminaire. Die-cast aluminium decorative cover top, either in chrome finish or painted in white or metal grey finish.

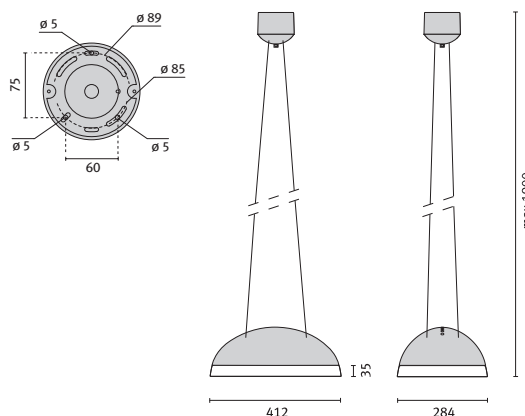
Die-cast aluminium ceiling canopy painted in white or metal grey finish.

Satin glass diffuser, with transparent edge. Aluminium reflector. Aluminium locking screws. Stainless steel hanging cables. Precision levelling adjustment.

Class I, IP20.



Ceiling mount



Version	White	Metallic grey	Chrome	Socket type
A60 max 2 x 75 W	008573	008574	008575	E27
QT-DE 12 max 150 W	-	008577	008578	R7s
TC-D 2 x 18 W c/w low loss ballast	008579	008580	008581	G24d-2