



MIDI LUM

Pendant luminaire

- Square luminaire head made of anodised aluminium
- Ceiling gear box made of die-cast aluminium, powder-coated in matt grey metallic
- For reflector lamps
- Gear box secured with interlock
- Steel wire suspension (2 m) or pendant tube (0.4 m)
- Lamp change without using of tools
- Incl. universal adapter for 3-phases track



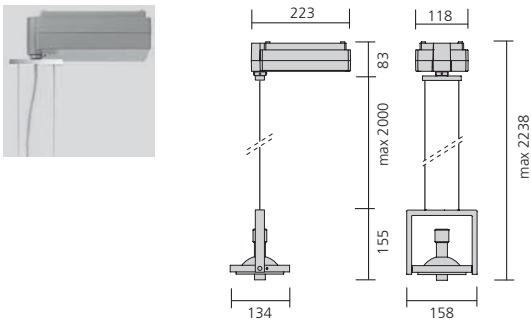
MIDI LUM

Pendant luminaire for HIR111 lamps



Pendant luminaire with square luminaire head for HIR111 lamps. Housing made of anodised aluminium, gear box made of die-cast aluminium, powder-coated in grey metallic, matt. Adjustable luminaire head. Beam angle according to lamp. C/w steel wire suspension (2 m). Max. weight: 1.8 kg

Version	grey metallic, matt	Length x width x height	Socket type
HIR111 35 W c/w HF ballast	3005955	158 x 134 x 155 mm	GX8,5
HIR111 70 W c/w HF ballast	3007865	158 x 134 x 155 mm	GX8,5



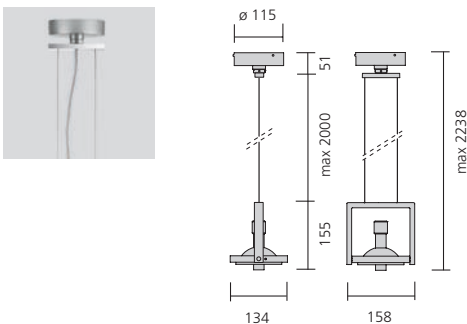
MIDI LUM/R

Pendant luminaire for QR111 lamps



Pendant luminaire with square luminaire head for QR111 lamps. Housing made of anodised aluminium. Adjustable luminaire head. Beam angle according to lamp. C/w steel wire suspension (2 m) and round ceiling rose, powder-coated in grey metallic, matt. Max. weight: 0.9 kg

Version	grey metallic, matt	Length x width x height	Socket type
QR111 up to 100 W c/w transformer	300596	158 x 134 x 155 mm	G53



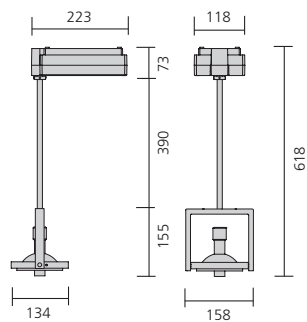
MIDI LUM/T400

Pendant luminaire for HIR111 lamps



Pendant luminaire with square luminaire head for HIR111 lamps. Housing made of anodised aluminium, gear box made of die-cast aluminium, powder-coated in grey metallic, matt. Adjustable luminaire head. Beam angle according to lamp. C/w pendant tube (0.4 m). Max. weight: 1.9 kg

Version	grey metallic, matt	Length x width x height	Socket type
HIR111 70 W c/w HF ballast	3007875	158 x 134 x 155 mm	GX8,5
HIR111 35 W c/w HF ballast	3005985	158 x 134 x 155 mm	GX8,5



MIDI LUM/TR 400

Pendant luminaire for QR111 lamps



Pendant luminaire with square luminaire head for QR111 lamps. Housing made of anodised aluminium. Adjustable luminaire head. Beam angle according to lamp. C/w pendant tube (0.4 m) and round ceiling rose, powder-coated in grey metallic, matt. Max. weight: 1.0 kg

Version	grey metallic, matt	Length x width x height	Socket type
QR111 up to 100 W c/w transformer	300599	158 x 134 x 155 mm	G53

