



## MIDI TRACK BOX

Track light

- Square luminaire head made of anodised aluminium. Gear box made of die-cast aluminium, powder-coated in matt grey metallic
- Rotatable and adjustable
- Gear box secured with interlock
- For reflector lamps
- Lamp change without using of tools
- Incl. universal adapter for 3-phases track



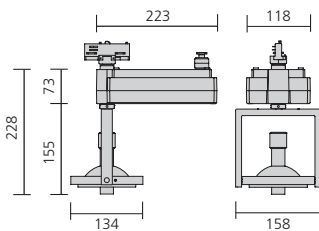
## MIDI TRACK BOX

Track light for HIR111 and QR111 lamps



Track light with square luminaire head for HIR111 and QR111 lamps. Housing made of anodised aluminium. Bracket and gear box made of die-cast aluminium, powder-coated in matt grey metallic. Rotatable and adjustable. Gear box secured with interlock. HIR111 version c/w electronic ballast, QR111 version c/w transformer. Beam angle acc. to lamp. Incl. universal adapter for 3-phases track. Max. weight: 1.9 kg

Version	grey metallic, matt	Length x width x height	Socket type
HIR111 35 W c/w HF ballast	<b>3006045</b>	158 x 134 x 228 mm	GX8,5
HIR111 70 W c/w HF ballast	<b>3007895</b>	158 x 134 x 228 mm	GX8,5
QR111 up to 100 W c/w transformer	<b>3006035</b>	158 x 134 x 228 mm	G53



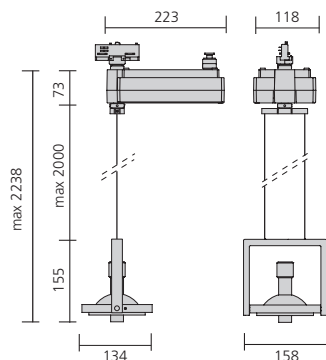
## MIDI LUM TRACK BOX

Pendant luminaire for track mounting for HIR111 and QR111 lamps



Pendant luminaire for track mounting with square luminaire head for HIR111 and QR111 lamps. Housing made of anodised aluminium, gear box made of die-cast aluminium, powder-coated in grey metallic, matt. Rotatable and adjustable. Gear box with secured interlock. HIR111 c/w electronic ballast, QR111 c/w transformer. Beam angle according to lamp. C/w 3-phases adapter and steel wire suspension (2 m). Max. weight: 2.1 kg

Version	grey metallic, matt	Length x width x height	Socket type
HIR111 35 W c/w HF ballast	<b>3006065</b>	158 x 134 x 155 mm	GX8,5
HIR111 70 W c/w HF ballast	<b>3007905</b>	158 x 134 x 155 mm	GX8,5
QR111 up to 100 W c/w transformer	<b>3006055</b>	158 x 134 x 155 mm	G53



# MIDI LUM TRACK BOX/T 400

Pendant luminaire for track mounting for HIR111 and QR111 lamps



Pendant luminaire for track mounting with square luminaire head for HIR111 and QR111 lamps. Housing made of anodised aluminium, gear box made of die-cast aluminium, powder-coated in grey metallic, matt. Rotatable and adjustable. Gear box with secured interlock. HIR111 c/w electronic ballast, QR111 c/w transformer. Beam angle according to lamp. C/w 3-phases adapter and pendant tube (0.4 m). Max. weight: 2.2 kg

Version	grey metallic, matt	Length x width x height	Socket type
HIR111 35 W c/w HF ballast	<b>3006085</b>	158 x 134 x 618 mm	GX8,5
HIR111 70 W c/w HF ballast	<b>3007915</b>	158 x 134 x 618 mm	GX8,5
QR111 up to 100 W c/w transformer	<b>3006075</b>	158 x 134 x 618 mm	G53

