



design Roberto Fiorato

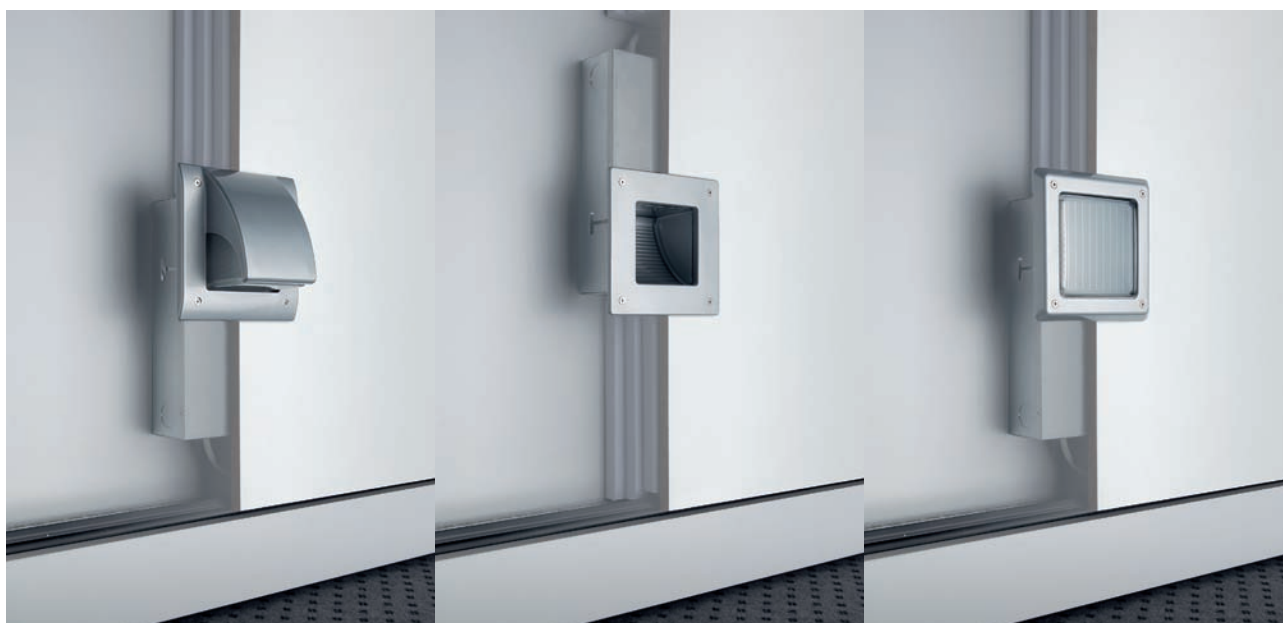
PRO INTERIOR

Wall recessed luminaires

A series of wall recessed luminaires for hollow walls, with cover in anti-corrosion aluminium, glass diffuser and galvanized steel body of a depth of only 82 mm.

The Visa model comes in two sizes, and has a visor to direct the light beam. The Tech model comes in three sizes and its particularly shaped diffuser protects the light bulb and electrical parts of the fixture against any uncontrolled access; it is therefore very sturdy, safe, and easy to clean and maintain. The Plat model comes in two sizes, with adhesive signage pictograms.

The Prointerior series is indicated for public or private indoor areas where decorative signage is required and unobtrusive light fixtures are desirable.

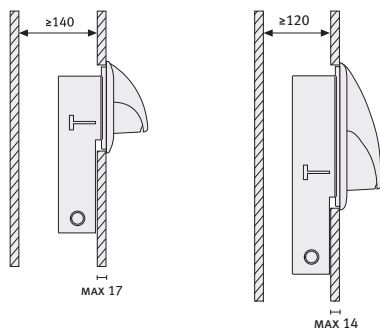


PRO INTERIOR VISA

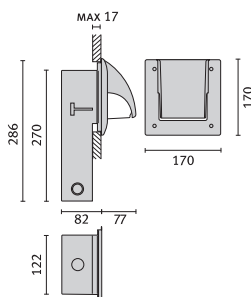
Wall recessed luminaires for halogen and fluorescent lamps



Recessed mount luminaire for interior use in partition-plasterboard walls. Sheet-zinc recessed housing (82 mm depth). Satin glass diffuser. Die-cast non corroding aluminium screen painted in white or metal grey finish. Polymer gasket. Stainless steel locking screws. Hangers for mounting to partition-plasterboard walls. All luminaires can be installed either upwards or downwards. Class I, IP40.

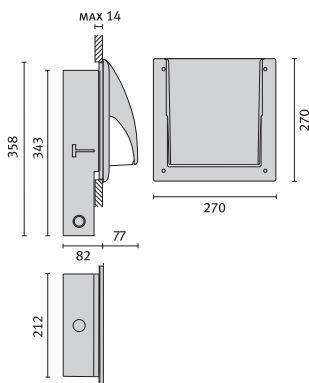


Minimum depth for installation in partition-plasterboard walls.



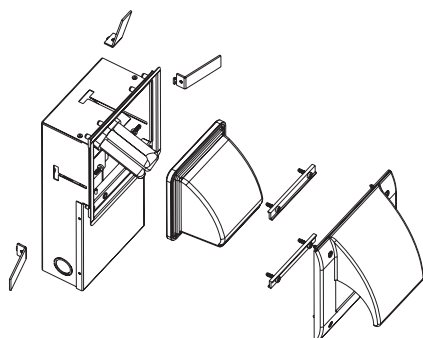
PRO INTERIOR 15 VISA	White	Metallic grey	Socket type
QT14 40 W	-	006348	G9
TC-T 13 W c/w low loss ballast	006347	-	GX24d-1
TC-TEL 13 W c/w electronic ballast	056347	-	GX24d-1

(all Pro Interior models come with a galvanized steel body)



PRO INTERIOR 25 VISA	White	Metallic grey	Socket type
TC-TEL 18 W c/w electronic ballast	056351	056353	GX24q-2

(all Pro Interior models come with a galvanized steel body)

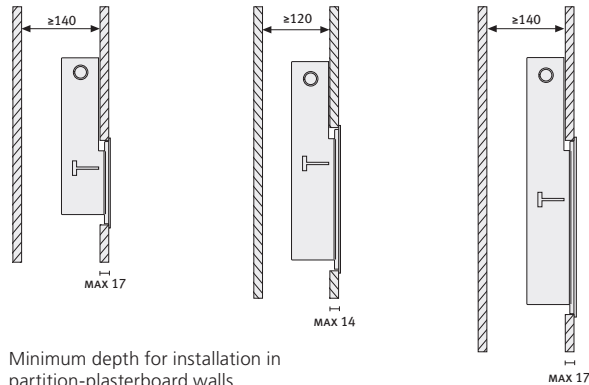


PRO INTERIOR TECH

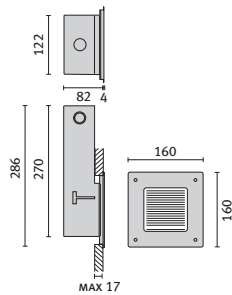
Wall recessed luminaires for halogen and fluorescent lamps



Recessed mount luminaire for interior use in partition-plasterboard walls. Sheet-zinc recessed housing (82 mm depth). White or metallized glass diffuser. Die-cast non corroding aluminium trim painted in white or metal grey finish. Polymer gasket. Stainless steel locking screws. Hangers for mounting to partition-plasterboard walls. All luminaires can be installed either upwards or downwards. Class I, IP40.



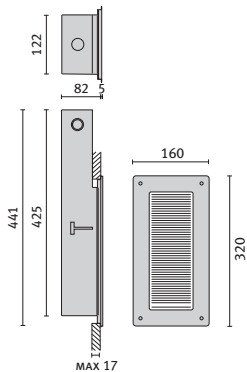
Minimum depth for installation in partition-plasterboard walls.



PRO INTERIOR 15 TECH

	White	Metallic grey	Socket type
QT14 25 W	006354	006356	G9
TC-T 13 W c/w low loss ballast	-	006357	GX24d-1
TC-TEL 13 W c/w electronic ballast	056355	-	GX24q-1

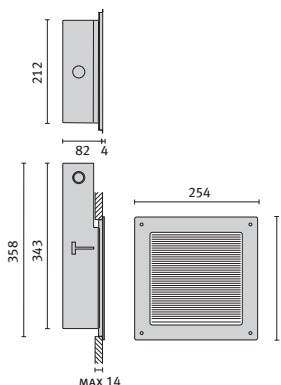
(all Pro Interior models come with a galvanized steel body)



PRO INTERIOR 15/30 TECH

	White	Metallic grey	Socket type
QT14 25 W	006362	006364	G9
TC-T 13 W c/w low loss ballast	-	006365	GX24d-1

(all Pro Interior models come with a galvanized steel body)



PRO INTERIOR 25 TECH

	White	Metallic grey	Socket type
QT14 2 x 25 W	-	006360	G9
TC-T 26 W c/w low loss ballast	006359	006361	GX24d-3
TC-TEL 18 W c/w electronic ballast	056359	056361	GX24q-2

(all Pro Interior models come with a galvanized steel body)

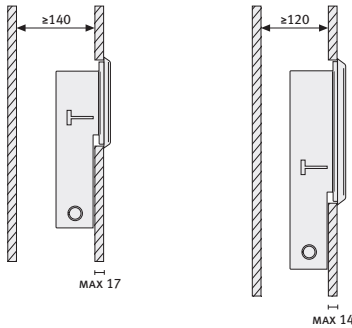


PRO INTERIOR PLAT

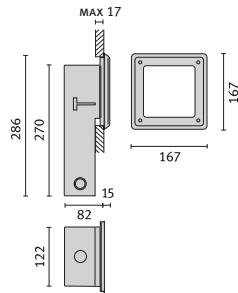
Wall recessed luminaires for fluorescent lamps



Recessed mount luminaire for interior use in partition-plasterboard walls. Sheet-zinc recessed housing (82 mm depth). Satin glass diffuser. Die-cast non corroding aluminium trim painted in white or metal grey finish. Polymer gasket. Stainless steel locking screws. Hangers for mounting to partition-plasterboard walls. Self adhesive signs are available for both 15 and 25 versions. Class I, IP40.

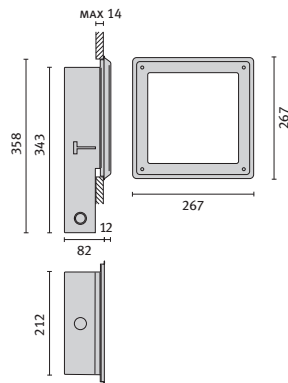


Minimum depth for installation in partition-plasterboard walls.



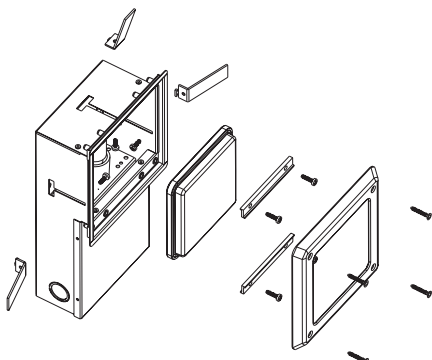
PRO INTERIOR 15 PLAT	White	Metallic grey	Socket type
TC-T 13 W c/w low loss ballast	006367	-	GX24d-1
TC-TEL 13 W c/w electronic ballast	-	056369	GX24q-1

(all Pro Interior models come with a galvanized steel body)



PRO INTERIOR 25 PLAT	White	Metallic grey	Socket type
TC-T 26 W c/w low loss ballast	006371	006373	GX24d-3
TC-TEL 18 W c/w electronic ballast	056371	056373	GX24q-2

(all Pro Interior models come with a galvanized steel body)



Self adhesive signs

for Pro Interior 15 and 25 Plat



Arrow

Green **018907**



Arrow

Green **018906**



Emergency

Green **018908**



DX

Green **018899**



Extinguisher

Red **018909**



SX

Green **018900**



Man

Blue **018910**



Exit

Green **018905**



Woman

Blue **018911**



Disabled

Blue **018912**



Toilet

Blue **018913**