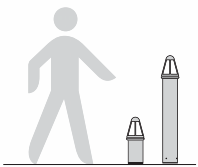


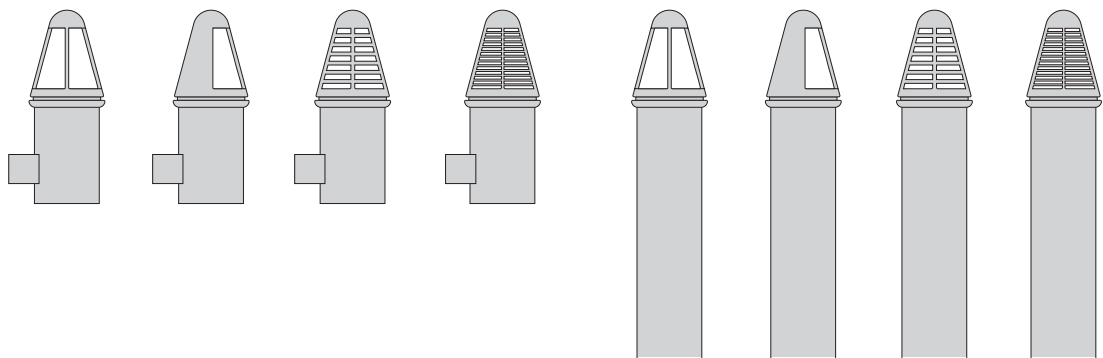
MIMO

design Roberto Fiorato



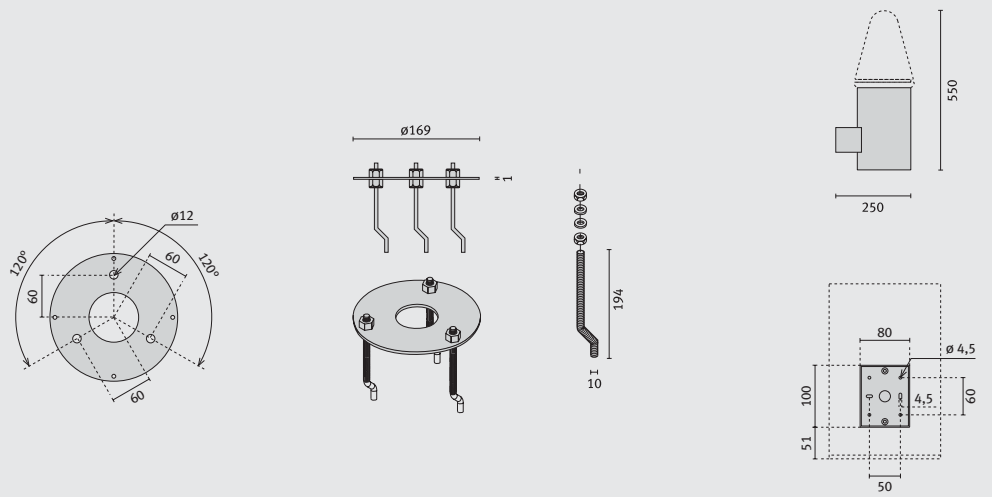
H max 1,15 m.
H min 0,55 m.

Range of outdoor wall or post mounted luminaires with conical diffuser in frosted glass, with four different covers in die-cast anti-corrosion aluminium and wall bracket in extruded aluminium. The various covers control the light distribution with options for open, grill, anti-glare louvre or completely screened. The lamp compartment is designed for incandescent, fluorescent or discharge light sources. Mimo is ideal for residential areas, pedestrian walkways in cities, and external areas in public and private settings.





PERFORMANCE IN LIGHTING HEAD OFFICE - VERONA (ITALY)



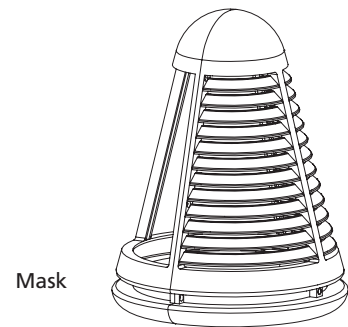
MIMO

Outdoor luminaire comprising:

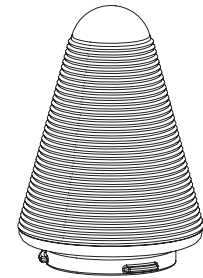
- cast aluminum non corroding cover black anodised or grey metallic painted
- wired gear tray/cover assembly including satin glass diffuser and self-extinguishing polycarbonate housing (class V0 rated, 960°C glow wire test) complete with electrical gear
- extruded aluminium post black anodised or grey metallic painted complet with ground plate
- ground plate with fixing rod to be ordered separately

- extruded aluminium wall bracket black anodised or grey metallic painted
- fitting is complete when installed on post or on bracket
- the magnetic ballasts installed in the fluorescent versions are equipped with thermal cut-off device, according to the EN 60598-1:2004 Standard
- maintain and clean the black anodized aluminium parts by using a soft cloth soaked with vaseline oil

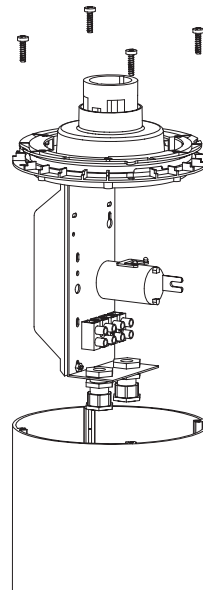
| description | colour | code |
|---------------|--------|--------|
| Post D180 H58 | BK1 | 009366 |
| Post D180 H88 | GR2 | 009369 |
| Post D180 H58 | GR2 | 009367 |
| Post D180 H28 | GR2 | 009365 |
| Post D180 H28 | BK1 | 009364 |
| Post D180 H88 | BK1 | 009368 |
| Fixing rod | | 008981 |
| Ground plate | | 009370 |
| Bracket | BK4 | 000821 |
| Bracket | GR2 | 000822 |



Mask



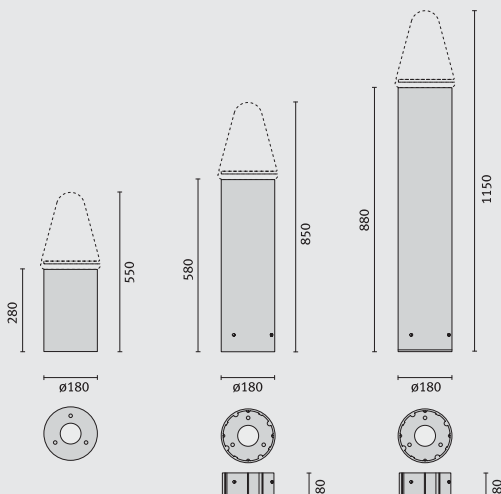
Housing



Post



GR2 BK4 BK1

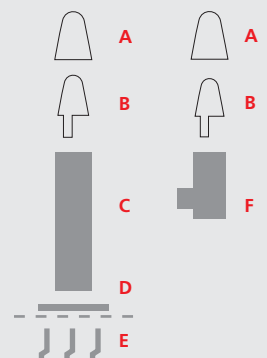


COMPLETE UNIT

1A+1B+1C+1D+3E = please order 7 codes

1A+1B+1F = please order 3 codes

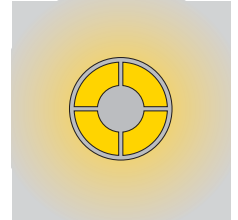
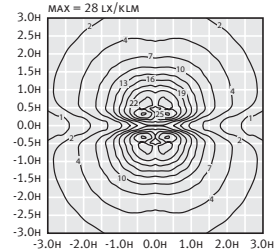
| COMPONENTS | CODES |
|----------------|-----------|
| A mask | > page 28 |
| B housing | > page 28 |
| C post | |
| D ground plate | |
| E fixing rod | |
| F bracket | |



MIMO

| | | |
|--|--------|-------------------------|
| | E27 | max 1x100w IAA |
| | E27 | 1x23w Dulux EL Longlife |
| | E27 | 1x23w Philips PL-E |
| | E27 | max 1x70w ME |
| | G24d-3 | 1x26w FSQ |
| | G24q-3 | 1x26w FSQ |

MIMO AA



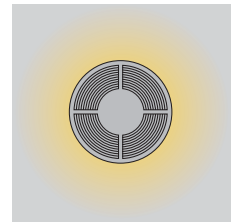
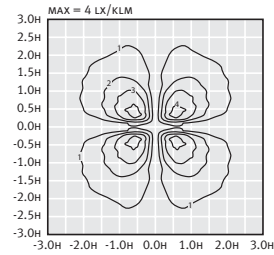
| lampholder | w | ILCOS | colour | class | IP | Kelvin | ΔT | $\cos \varphi \geq 0,9$ | EEL | code | notes |
|------------|---|-------|--------|-------|----|--------|------------|-------------------------|-----|------|-------|
|------------|---|-------|--------|-------|----|--------|------------|-------------------------|-----|------|-------|

MIMO

| | | | | | | | | | | | |
|----------------------------------------------------------|------------|-----|---|----|-----|------|--|--|-------|---------------|--|
| E27 | max 1x100w | IAA | I | 44 | • • | | | | | 007286 | |
| Fluorescent - magnetic ballast 230V 50Hz | | | | | | | | | | | |
| G24d-3 | 1x26w | FSQ | I | 44 | • • | 2700 | | | • ≤B2 | 007287 | |
| Fluorescent - electronic ballast 220/240V 50/60Hz | | | | | | | | | | | |
| G24q-3 | 1x26w | FSQ | I | 44 | • | | | | • A2 | 057287 | |
| Discharge - magnetic ballast | | | | | | | | | | | |
| E27 | max 1x70w | ME | I | 44 | • • | 4000 | | | • | 007289 | |

If information about Kelvin degrees is provided, this means that the light bulb is included.

MIMO GG



| description | colour | ΔT | code |
|-------------|--------|------------|------|
|-------------|--------|------------|------|

| | | | |
|-------------------------------|-----|--------------|---------------|
| Mimo Cover AA (Trim + Trim) | BK4 | IK06 1J xx3 | 009350 |
| Mimo Cover AA (Trim + Trim) | GR2 | IK06 1J xx3 | 009351 |
| Mimo Cover AV (Trim + Visa) | BK4 | IK06 1J xx3 | 009352 |
| Mimo Cover AV (Trim + Visa) | GR2 | IK06 1J xx3 | 009353 |
| Mimo Cover GG (Grill + Grill) | BK4 | IK10 20J xx9 | 009354 |
| Mimo Cover GG (Grill + Grill) | GR2 | IK10 20J xx9 | 009355 |
| Mimo Cover SS (Spy + Spy) | BK4 | IK10 20J xx9 | 009358 |
| Mimo Cover SS (Spy + Spy) | GR2 | IK10 20J xx9 | 009359 |



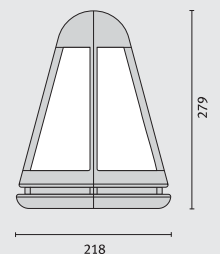
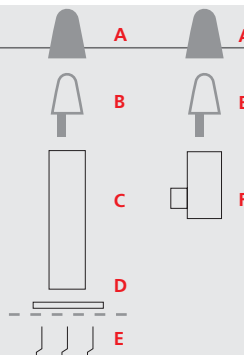
GR2 BK4

COMPLETE UNIT

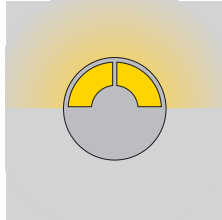
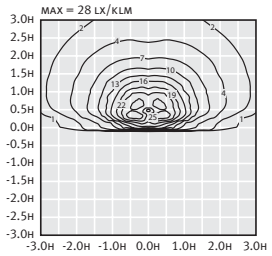
1A+1B+1C+1D+3E = please order 7 codes

1A+1B+1F = please order 3 codes

| COMPONENTS | CODES |
|-----------------------|-----------|
| A mask | |
| B housing | |
| C post | > page 27 |
| D ground plate | > page 27 |
| E fixing rod | > page 27 |
| F bracket | > page 27 |



MIMO AV



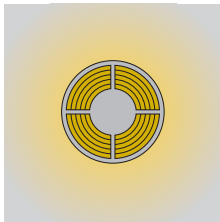
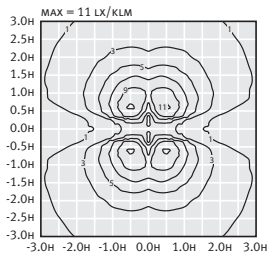
MIMO AA



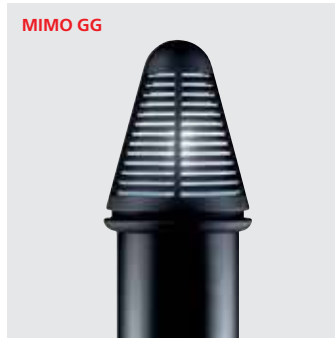
MIMO AV



MIMO SS



MIMO GG



MIMO SS

