

UWF 10

design Silvia Paola Pennacchio



UWF 10 extra low voltage (12V) small underwater floodlights for installation in fresh water only, to depths between 0.2 - 5.0 metres. UWF 10 fittings are designed for mounting underwater, but may also be used above ground with 20W lamps max. Ideal for small fountains and water displays. UWF 10 fittings are ideal for small fountains and water displays.

- Body and frame in technopolymer.
 - Toughened safety glass.
 - AISI 304 stainless steel bracket
 - Nickel plated brass screws with PG11 cable gland for Ø6-10mm cables.
- IP68 guaranteed only when using H07RN8-F 2x1,5 mm² toughened rubber cable supplied with fitting as accessory (A0235).



UWF 10/75-100

Lampholder	W	Ilcos	*K	Optic	Colour	Class	Wiring	EEl =	Cosp ≥ 0,9	Code	Notes
GU5,3	max 50W/12V	HRGS			80	III				• 01961018	! ■
GY6,35	max 100W/12V	HSGS		C	80	III				• 01962018	! ■



! For 12V DC lamp supply.

■ Minimum order 12 pcs. or multiple quantities thereof.



UWF 10/75-100 + H07RN8-F

Lampholder	W	Ilcos	*K	Optic	Colour	Class	Wiring	EEl =	Cosp ≥ 0,9	Code	Notes
GU5,3	max 50W/12V	HRGS			80	III				• 01958018	! ⚡
GY6,35	max 100W/12V	HSGS		C	80	III				• 01959018	! ⚡



! For 12V DC lamp supply.

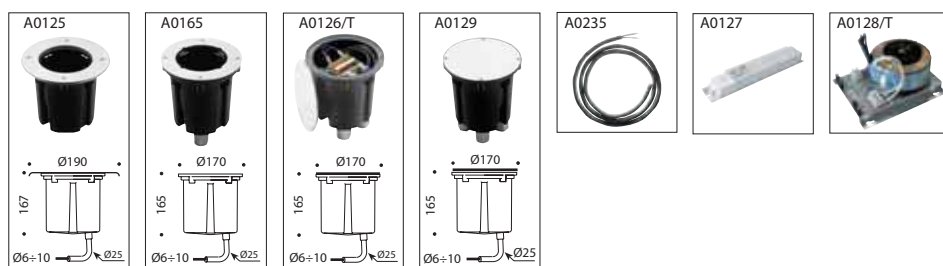
⚡ Fitting supplied complete with 4 metres of H07RN8-F 2x1.5 mm² cable.



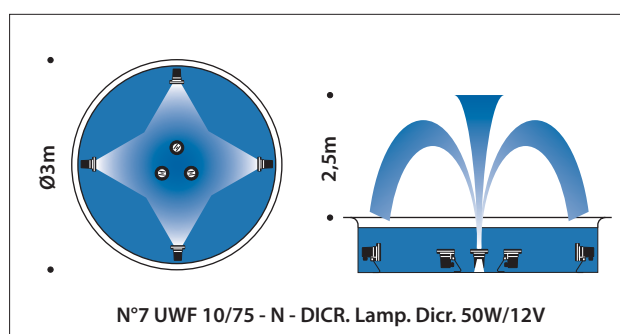
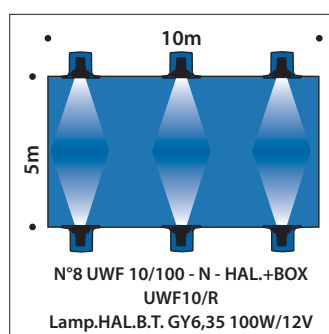
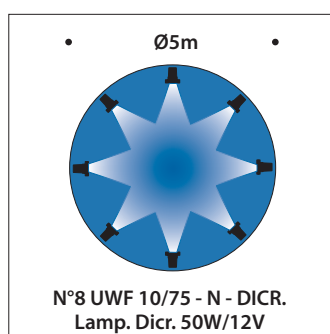
UWF 10

						IK 08 6J						
CLASS III		80	IP 68								HRGS Max 50W DICR	HSGS Max 100W HALO 12V

ACCESSORIES



Code	Denomination	Description
14421018	A0125	Floor / wall recessing accessory for UWF 10 fitting.
14002289	A0165	Accessory for recessed installations into plastic sheet wall.
14096120	A0126/T	CLASS II IP67 box complete with 1x100VA 220-240/12V transformer for ground and concrete recessed installation (non submersible above ground use only).
14422018	A0129	CLASS II IP67 wiring box for ground and wall recessed installation (non submersible above ground use only).
14018320	A0235	H07RN8-F 2x1.5mm² rubber cable supplied and sold in 1 metre units.
14423998	A0127/T	1x100VA 220-240/12V safety transformer. Not suitable for installing within A0126 accessory.
14094920	A0128/T	1x350VA 240/12V safety transformer. Not suitable for installing within A0126 accessory.





UWF 22 high power 300W PAR 56 extra low voltage (12V) underwater floodlights. Suitable for permanent submersible installation into depths between 0.3 - 5.0 metres. UWF 22 fittings are especially suited for swimming pools, water displays and fountains, creating dramatic and exciting effects. UWF 22 is available in two versions: bronze (BR) and technopolymer (PPH). UWF 22 BR (Bronze) version is suitable for sea water installations. UWF 22 PPH (Technopolymer) version is suitable for fresh water installations only.

UWF 22 BR:

- Body and frame in bronze alloy
- Anti-tearing IP68 nickel brass cable gland
- Stainless steel bracket
- Stainless steel external screws.

UWF 22 PPH:

- Body and frame in white or black technopolymer
- Anti-tearing IP68 nickel brass cable gland
- Stainless steel bracket
- Stainless steel external screws.



UWF 22/BR Suitable for sea water installations

Lampholder	W	Ilcos	*K	Optic	Colour	Class	Wiring	EEL =	Cosp ≥ 0,9	Code	Notes
screws	300	PAR 56		40	III					• 01979998	!1 !2 Q
screws	300	PAR 56		40	III					• 01941998	!1 !2 Q



- !1 For 12V DC lamp supply.
- !2 Bronze (BR) version is not suitable for recessing into walls or floors.
- 🔌 Supplied complete with 4m of H07RN8-F 2x4 mm² cable.
- Q Fittings supplied complete with lamp.



UWF 22/PPH Suitable for installation in fresh water only

Lampholder	W	Ilcos	*K	Optic	Colour	Class	Wiring	EEL =	Cosp ≥ 0,9	Code	Notes
screws	300	PAR 56		80	III					• 01980998	!1 Q
screws	300	PAR 56		80	III					• 01981998	!1 Q 🗑️
screws	300	PAR 56		85	III					• 01003102	!1 Q
screws	300	PAR 56		85	III					• 01003202	!1 Q 🗑️



- !1 For 12V DC lamp supply.
- 🔌 Supplied complete with 4m of H07RN8-F 2x4 mm² cable.
- Q Fittings supplied complete with lamp.



UWF 22/PPH-Recessed Suitable for installation in fresh water only

Lampholder	W	Ilcos	*K	Optic	Colour	Class	Wiring	EEL =	Cosp ≥ 0,9	Code	Notes
screws	300	PAR 56		80	III					• 03003585	!1 🗑️ Q

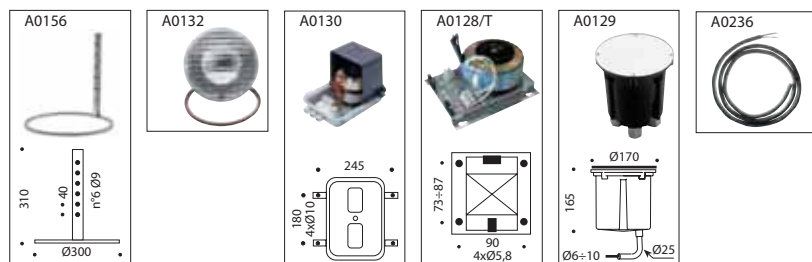


- !1 For 12V DC lamp supply.
- Q Fittings supplied complete with lamp.
- 🗑️ UWF 22/PPH Recessed is made of the UWF 22/PPH fixture, 4 mt of H07RN8 -F 2x4 mm² cable and a technopolymer box for wall recessed installation.



						IK 04 0,5J						
CLASS III		80 85	40	IP 68								HDG 300W PAR56/WFL
UWF22/BR 125 235	220	UWF22/PPH 153 255	UWF22/PPH-R 180	Ø320	OK min 0,3m max 2m	NO						PG16 Ø10-Ø14 H07RN8-F 2x4 mm ²

ACCESSORIES



Code	Denomination	Description
14000799	A0156	AISI 304 stainless steel support bracket, to mount UWF 22 fittings at different heights.
14417998	A0132/BR	Seal and lamp set. Replacement lamp and seal during re-lamping.
14451998	A0133/PPH	Seal and lamp set. Replacement lamp and seal during re-lamping.
14410998	A0130/T1	CLASS I IP65 box complete with one 330VA 220-240V/12V transformer for one UWF 22 fittings.
14411998	A0130/T2	CLASS I IP65 box complete with two 330VA 220-240V/12V transformers for two UWF 22 fittings.
14412998	A0130/T3	CLASS I IP65 box complete with three 330VA 220-240V/12V transformers for three UWF 22 fittings.
14094920	A0128/T	1 x 350VA 240/12V safety transformer.
14422018	A0129	CLASS II IP67 wiring box for ground and wall recessed installation (non submersible above ground use only).
14018420	A0236	H07RN8-F 2x4 mm ² rubber cable supplied and sold in 1 metre units.

